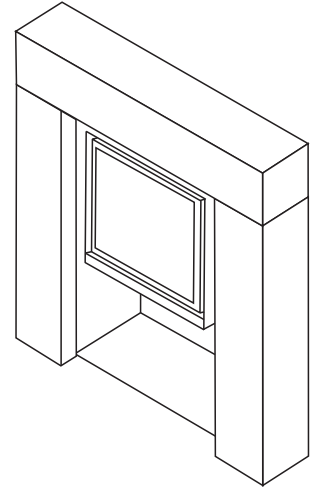


16/58 Fireplace | The stove



appearance	compact and subtle design
ergonomics	accessibility to all mechanisms
high efficiency	
economical	low wood consumption
low pollutant levels	low emission of CO and fine particles
air-tightness	++
for traditional and energy-efficient homes	✓
"all-in-one" stove and decor	easy installation



TECHNICAL SPECIFICATIONS

GENERAL

TYPE OF SYSTEM	fitted
MATERIALS	steel + vermiculite
COLOUR	Stuv grey
LOADING	manual
TYPE OF OPENING	hinges on the left
FUEL	wood
POSITION OF LOGS	horizontal
LENGTH OF LOGS	40 cm

WEIGHT / DIMENSIONS

WEIGHT	91 kg
Ø OF SMOKE DUCT	180 mm
HOT-AIR OUTLET	front
Ø OUTSIDE AIR INLET	63 mm

PERFORMANCE

OUTPUT	7 kW
USAGE RANGE	5-8 kW
EFFICIENCY	78%
CO EMISSIONS	0.09%
FINE PARTICLE EMISSIONS	11 mg/Nm ³
RANGE OF WOOD CONSUMPTION	1.4 - 2.3 kg/h
MINIMUM DRAW	12 Pa
SMOKE MASS FLOW	7 g/s
AVERAGE SMOKE TEMPERATURE	283 °C
CONSUMPTION OF AIR FOR COMBUSTION	18.6 m ³ /h
ENERGY EFFICIENCY INDEX (EEI)	104
ENERGY EFFICIENCY CLASS	A

ACCESSORIES / EQUIPMENT

ACCUMULATION	X
CUPBOARD	X
BARBECUE	X
ASHTRAY	X
CONVECTION	✓
FAÇADE	X
OPEN FIRE	X
GROUND PLATE	X
READY-TO-FIT	X
ROTARY FUNCTION	X
BASE	X
FAN	X
RETRACTABLE GLASS	X

AIR

DIRECT OUTSIDE INLET	✓
CONTROL OF PRIMARY AIR	✓
CONTROL OF SECONDARY AIR	✓
POST-COMBUSTION	✓
AIR-TIGHTNESS	++
OPERATION WITHOUT FAN	✓
OVERHEATING INDICATOR	X

MIN. THICKNESS OF INSULATION BETWEEN STOVE AND COMBUSTIBLE MATERIALS

BACK FACE	3 cm
SIDE FACE	3 cm
UPPER FACE	9 cm
INSIDE FACE	0 cm

LEGEND

✓	STANDARD
X	UNAVAILABLE
○	OPTIONAL

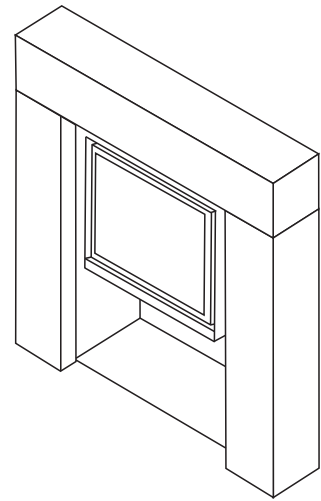
according to:
 - OPair (CH)
 - BE Phase 3
 - BImSchV2 (DE)
 - ECODESIGN 2022



16/68 Fireplace | The stove

Stûv

appearance	compact and subtle design
ergonomics	accessibility to all mechanisms
high efficiency	
economical	low wood consumption
low pollutant levels	low emission of CO and fine particles
air-tightness	++
for traditional and energy-efficient homes	✓
"all-in-one" stove and decor	easy installation



TECHNICAL SPECIFICATIONS

GENERAL

TYPE OF SYSTEM	fitted
MATERIALS	steel + vermiculite
COLOUR	Stûv grey
TYPE OF OPENING	hinges on the left
LOADING	manual
FUEL	wood
POSITION OF LOGS	horizontal
LENGTH OF LOGS	50 cm

WEIGHT / DIMENSIONS

WEIGHT	102 kg
Ø OF SMOKE DUCT	180 mm
HOT-AIR OUTLET	front
Ø OUTSIDE AIR INLET	63 mm

AIR

DIRECT OUTSIDE INLET	✓
CONTROL OF PRIMARY AIR	✓
CONTROL OF SECONDARY AIR	✓
POST-COMBUSTION	✓
AIR-TIGHTNESS	++
OPERATION WITHOUT FAN	✓
OVERHEATING INDICATOR	X

PERFORMANCE

OUTPUT	7.5 kW
USAGE RANGE	5-9 kW
EFFICIENCY	77%
CO EMISSIONS	0.10%
FINE PARTICLE EMISSIONS	19 mg/Nm ³
RANGE OF WOOD CONSUMPTION	1.5 - 2.6 kg/h
MINIMUM DRAW	12 Pa
SMOKE MASS FLOW	7.9 g/s
AVERAGE SMOKE TEMPERATURE	301 °C
CONSUMPTION OF AIR FOR COMBUSTION	20.8 m ³ /h
ENERGY EFFICIENCY INDEX (EEI)	103
ENERGY EFFICIENCY CLASS	A

MIN. THICKNESS OF INSULATION BETWEEN STOVE AND COMBUSTIBLE MATERIALS

BACK FACE	3 cm
SIDE FACE	3 cm
UPPER FACE	9 cm
INSIDE FACE	0 cm

ACCESSORIES / EQUIPMENT

ACCUMULATION	X
CUPBOARD	X
BARBECUE	X
ASHTRAY	X
CONVECTION	✓
FAÇADE	X
OPEN FIRE	X
GROUND PLATE	X
READY-TO-FIT	X
ROTARY FUNCTION	X
BASE	X
FAN	X
RETRACTABLE GLASS	X

LEGEND

✓	STANDARD
X	UNAVAILABLE
○	OPTIONAL

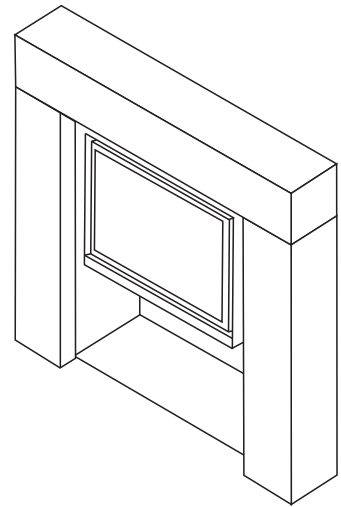
according to:
 - OPair (CH)
 - BE Phase 3
 - BImSchV2 (DE)
 - ECODESIGN 2022



16/78 Fireplace | The stove

stuv

appearance	compact and subtle design
ergonomics	accessibility to all mechanisms
high efficiency	
economical	low wood consumption
low pollutant levels	low emission of CO and fine particles
air-tightness	++
for traditional and energy-efficient homes	✓
"all-in-one" stove and decor	easy installation



TECHNICAL SPECIFICATIONS

GENERAL

TYPE OF SYSTEM	fitted
MATERIALS	steel + vermiculite
COLOUR	Stuv grey
LOADING	manual
TYPE OF OPENING	hinges on the left
FUEL	wood
POSITION OF LOGS	horizontal
LENGTH OF LOGS	60 cm

WEIGHT / DIMENSIONS

WEIGHT	112 kg
Ø OF SMOKE DUCT	180 mm
HOT-AIR OUTLET	front
Ø OUTSIDE AIR INLET	63 mm

AIR

DIRECT OUTSIDE INLET	✓
CONTROL OF PRIMARY AIR	✓
CONTROL OF SECONDARY AIR	✓
POST-COMBUSTION	✓
AIR-TIGHTNESS	++
OPERATION WITHOUT FAN	✓
OVERHEATING INDICATOR	✗

PERFORMANCE

OUTPUT	8 kW
USAGE RANGE	6-10 kW
EFFICIENCY	75%
CO EMISSIONS	0,09%
FINE PARTICLE EMISSIONS	13 mg/Nm ³
RANGE OF WOOD CONSUMPTION	1.8 - 3.0 kg/h
MINIMUM DRAW	12 Pa
SMOKE MASS FLOW	8.8 g/s
AVERAGE SMOKE TEMPERATURE	318 °C
CONSUMPTION OF AIR FOR COMBUSTION	23,5 m ³ /h
ENERGY EFFICIENCY INDEX (EEI)	100
ENERGY EFFICIENCY CLASS	A

MIN. THICKNESS OF INSULATION BETWEEN STOVE AND COMBUSTIBLE MATERIALS

BACK FACE	9 cm
SIDE FACE	10 cm
UPPER FACE	9 cm
INSIDE FACE	0 cm

ACCESSORIES / EQUIPMENT

ACCUMULATION	✗
CUPBOARD	✗
BARBECUE	✗
ASHTRAY	✗
CONVECTION	✓
FAÇADE	✗
OPEN FIRE	✗
GROUND PLATE	✗
READY-TO-FIT	✗
ROTARY FUNCTION	✗
BASE	✗
FAN	✗
RETRACTABLE GLASS	✗

LEGEND

✓	STANDARD
✗	UNAVAILABLE
○	OPTIONAL

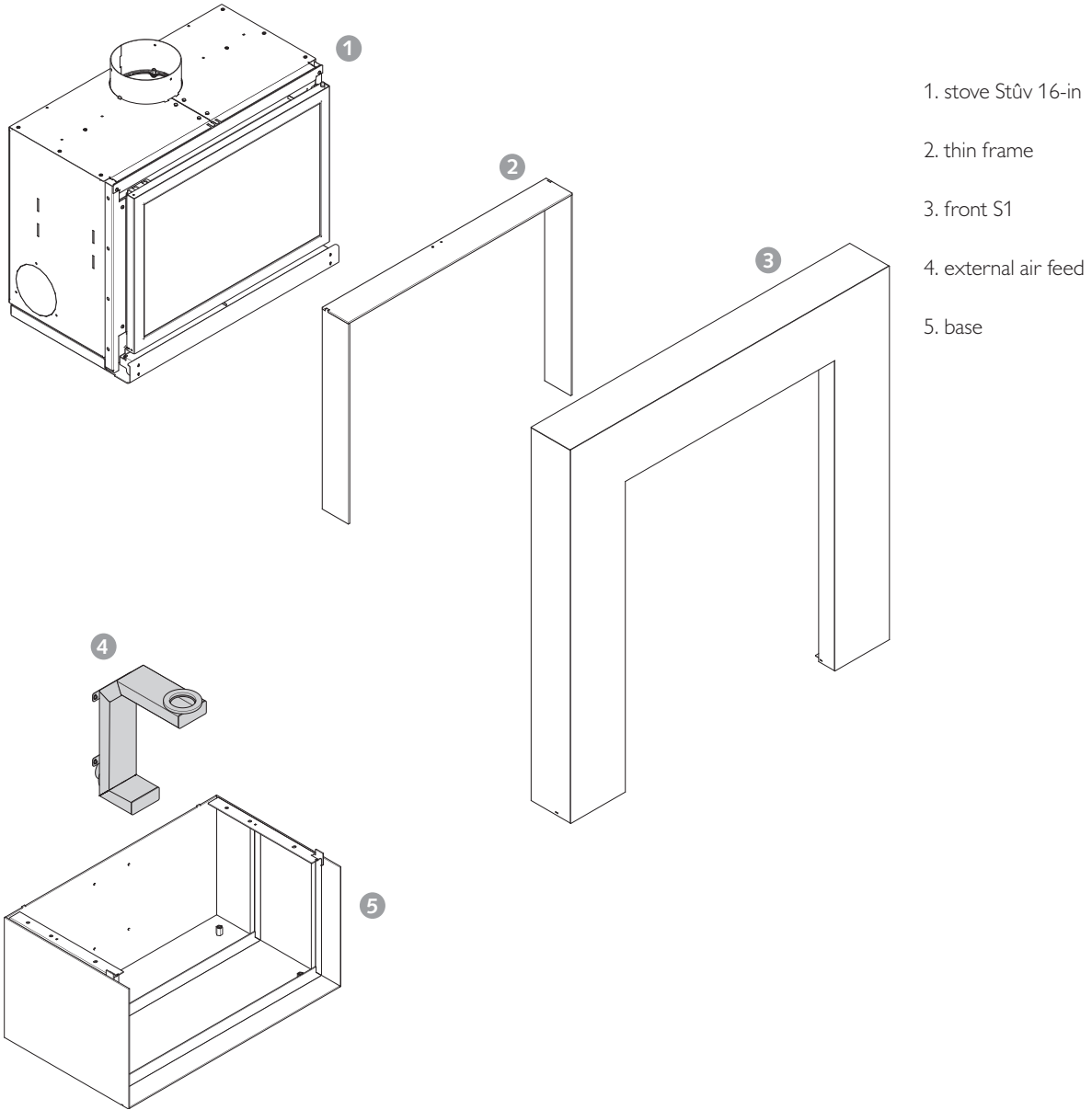
according to:
 - OPair (CH)
 - BE Phase 3
 - BImSchV2 (DE)
 - ECODESIGN 2022



16 Fireplace | The stove

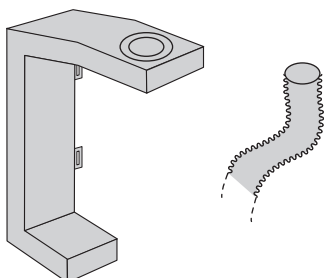


THE BASIC STOVE AND ITS OPTIONAL FEATURES



ACCESSORY

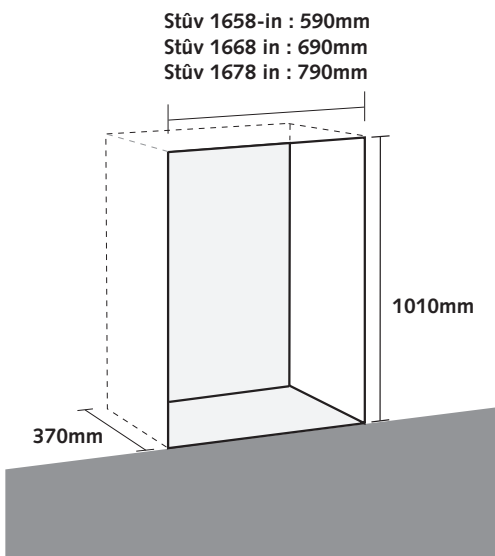
AIR INLET DUCT KIT



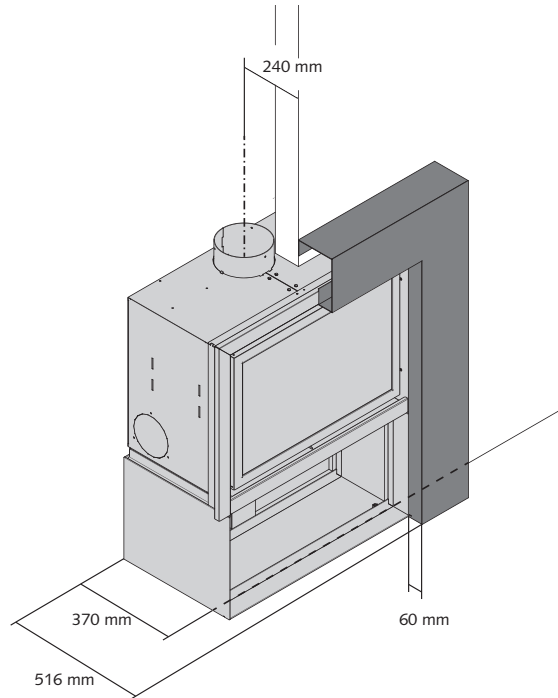
16 Fireplace | The stove



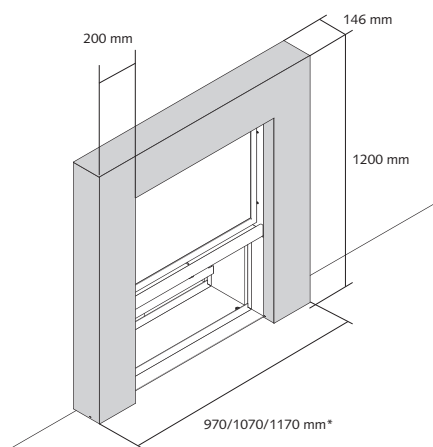
DIMENSIONS OF THE RECESS



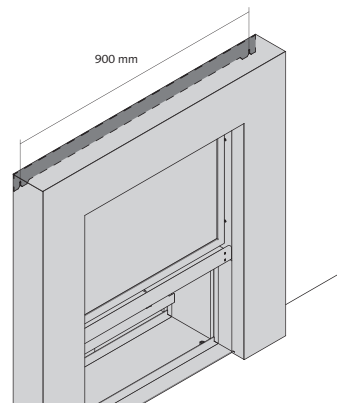
DIMENSIONS OF THE STOVE



DIMENSIONS OF THE FRONT PART



* The widths of 970, 1070 and 1170mm correspond respectively to the 16/58, 16/68 and 16/78 Stûv stoves.



The distance of 900mm between the wall-mounting rectangles is fixed. This dimension is the same, regardless of the width of the stove.