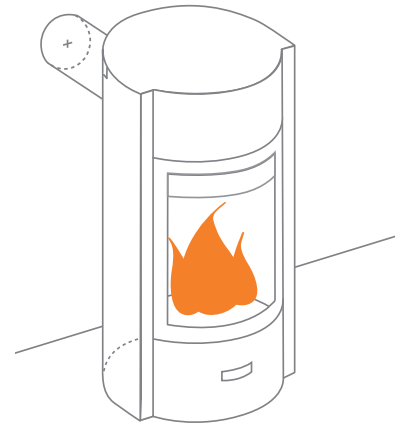


s30 | The stove

stuv

3 doors	glass door, close door, open fire
control of the fire	precision control of combustion air
air-tightness	control over the distribution of combustion air; sweeping of the glass, no consumption of room air, no CO in the living room
excellent efficiency	even at half-power
low pollutant levels	low emission of CO and fine particles even at half-power
outside air inlet	at back or under the stove
for traditional, energy-efficient and wood-framed homes	✓
150 or 180-mm smoke outlet	at back or above
turning plate	integrated

**GENERAL**

TYPE OF SYSTEM	stove
MATERIALS	steel + refractors
COLOUR	Stûv grey
LOADING	manual
FUEL	wood logs
POSITION OF LOGS	vertical
LENGTH OF LOGS	50 cm

WEIGHT / DIMENSIONS

WEIGHT	215 kg
Ø OF SMOKE DUCT	150/ 180mm
Ø HOT-AIR OUTLETS	-
Ø OUTSIDE AIR INLET	100mm

AIR

DIRECT OUTSIDE INLET	✓
CONTROL OF PRIMARY AIR	✓
CONTROL OF SECONDARY AIR	✓
POST-COMBUSTION	✓
AIR-TIGHTNESS	+++
OPERATION WITHOUT FAN	✓
OVERHEATING INDICATOR	X

PERFORMANCE

ENERGY EFFICIENCY CLASS	A+
ENERGY PERFORMANCE INDEX	0,2
ENERGY EFFICIENCY INDEX	107
OUTPUT	9,5 kW
OUTPUT RANGE	4,6 - 13,5 kW
NOMINAL EFFICIENCY	80,8%
SEASONAL EFFICIENCY	70,8%
FINE PARTICLE EMISSIONS	22 mg/Nm ³
CO EMISSIONS	0,04 % 421 mg/Nm ³
NOX EMISSIONS	99 mg/Nm ³
COV/COG EMISSIONS	17 mg/Nm ³
RANGE OF WOOD CONSUMPTION	1,3 - 3,9 kg/h
NOMINAL DRAW	12 Pa
SMOKE MASS FLOW	9,2 g/s
AVERAGE TEMP. OF SMOKE	346°C
CONSUMPTION OF ROOM AIR FOR COMBUSTION	24 m ³ /h

MINIMUM THICKNESS OF INSULATION BETWEEN STOVE AND COMBUSTIBLE MATERIALS

BACK FACE	10 cm
SIDE FACE	10 cm
TOP FACE	-
BOTTOM FACE	0 cm

ACCESSORIES / EQUIPMENT

ACCUMULATION	X
CUPBOARD	X
BARBECUE	○
ASHTRAY	✓
CONVECTION	✓
FAÇADE	X
OPEN FIRE	✓
MOBILOBOX	○
GROUND PLATE	○
READY-TO-FIT	X
LOG RACK	○
ROTARY FUNCTION	○
BASE	X
FAN	X
RETRACTABLE GLASS	X

LEGEND

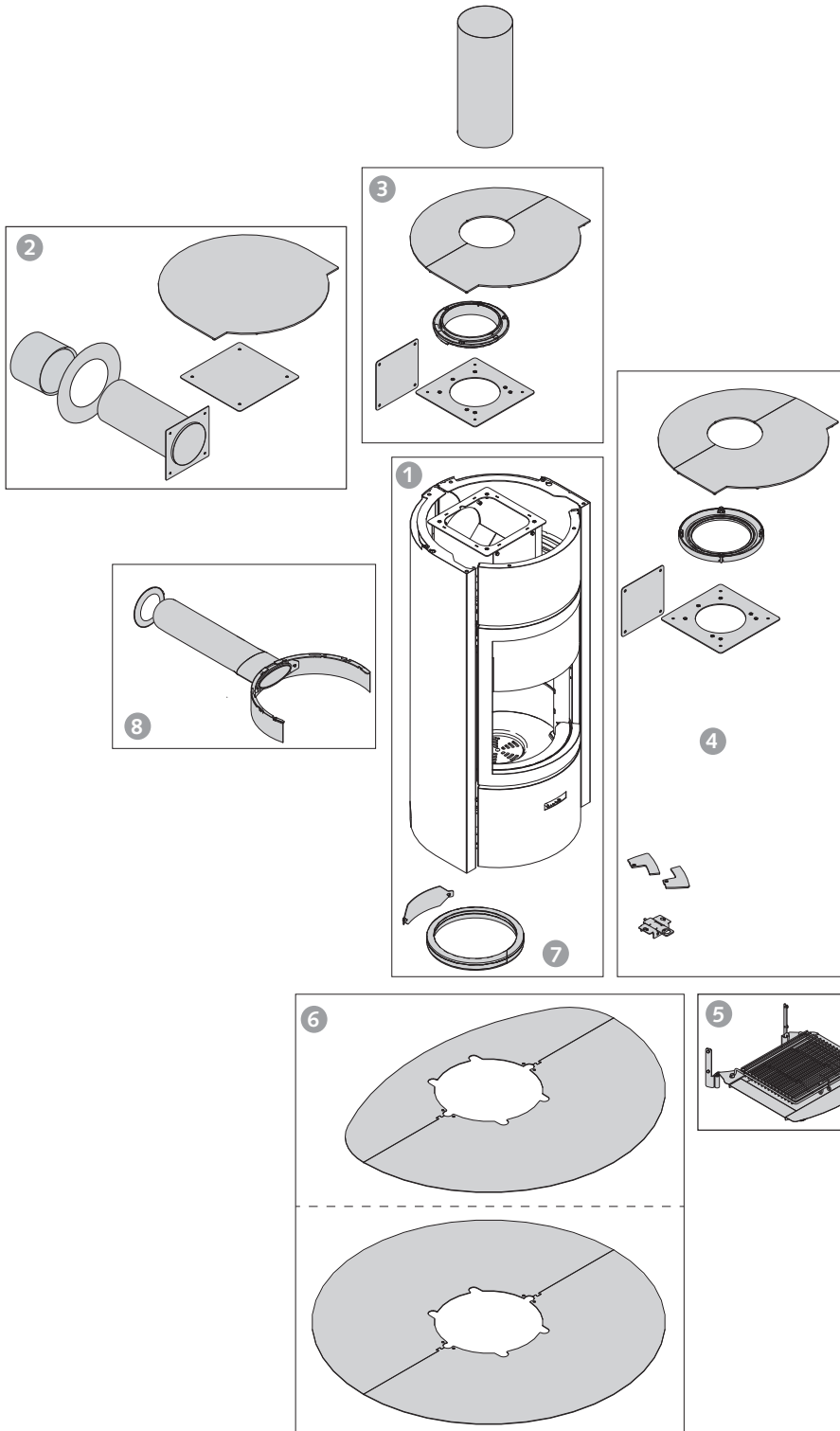
✓	STANDARD
X	UNAVAILABLE
○	OPTIONAL

Conforms with:



ECODESIGN 2022 / BE Phase 3 / DEFRA

THE BASIC STOVE AND ITS OPTIONAL FEATURES

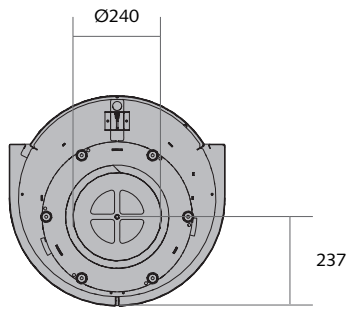


- 1. the stove
- 2. rear smoke exit kit
Available in diameter 150 or 180mm
- 3. top smoke exit kit
Available in diameter 150 or 180mm
- 4. rotary kit
- 5. barbecue kit
- 6. floor finishing plate (oval or round)
- 7. bottom external air supply
- 8. top external air supply

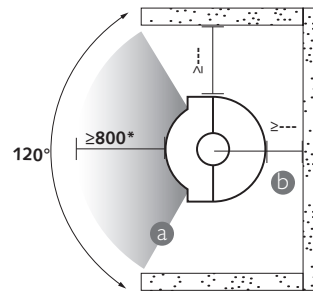
s30 | The stove

DIMENSIONS OF THE STOVE

VIEW FROM BEHIND

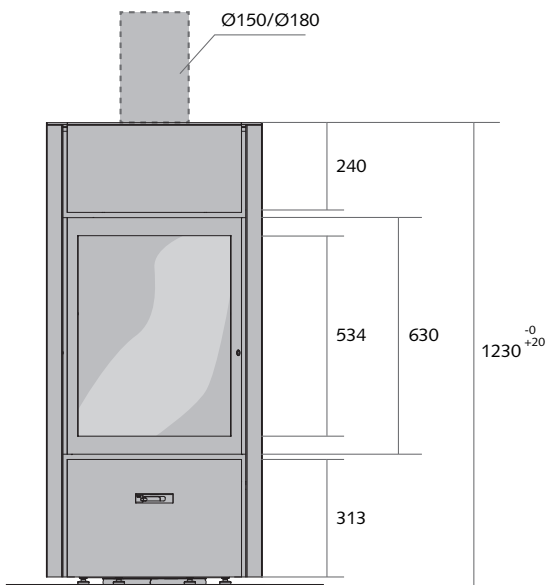


SAFETY DISTANCES

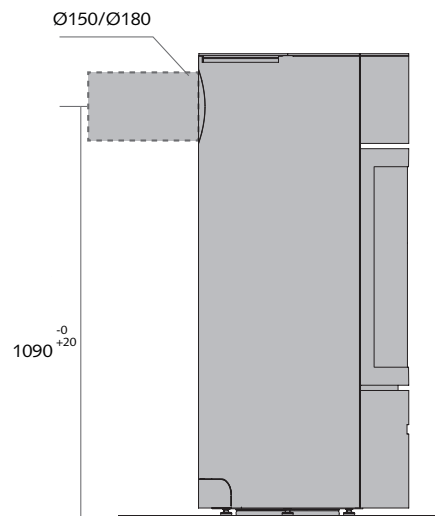


a: Heat radiated from the glass
 b: Heat radiated from the walls
 *Safety distances from combustible materials.

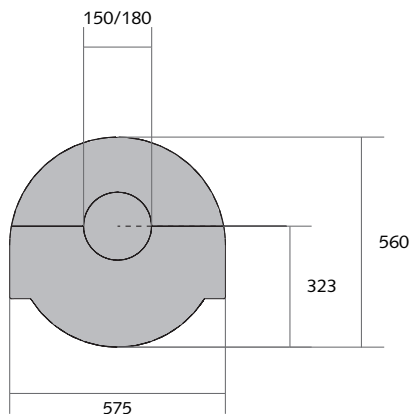
VIEW OF FRONT



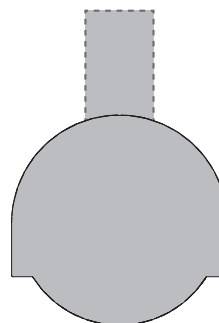
VIEW OF PROFILE



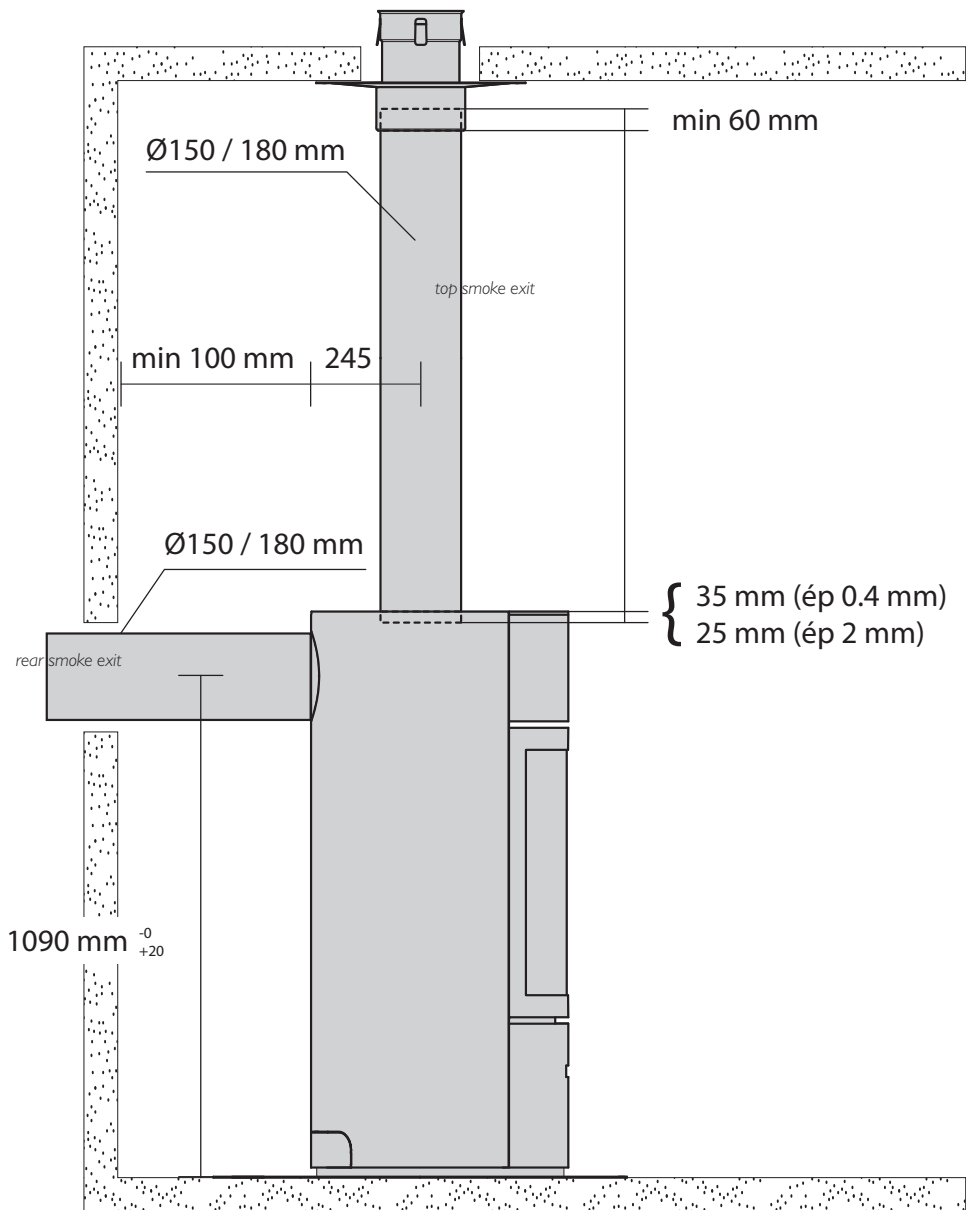
VIEW FROM ABOVE TOP SMOKE EXIT



VIEW FROM ABOVE REAR SMOKE EXIT

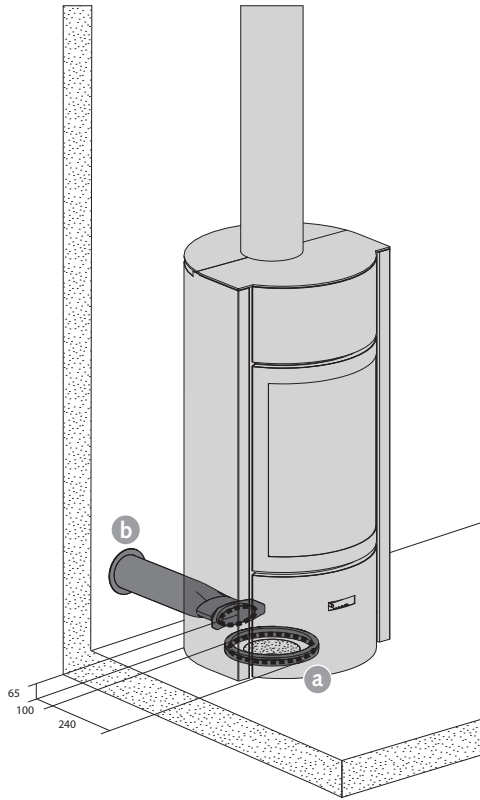


SMOKE OUTLETS

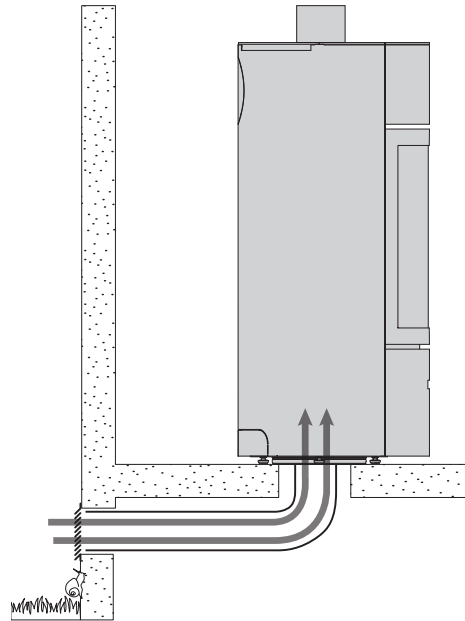


s30 | The stove

COMBUSTION AIR INLET

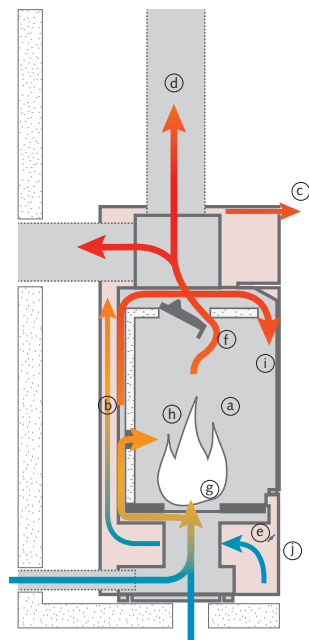


a : bottom external air supply
b: top external air supply



bottom external air supply

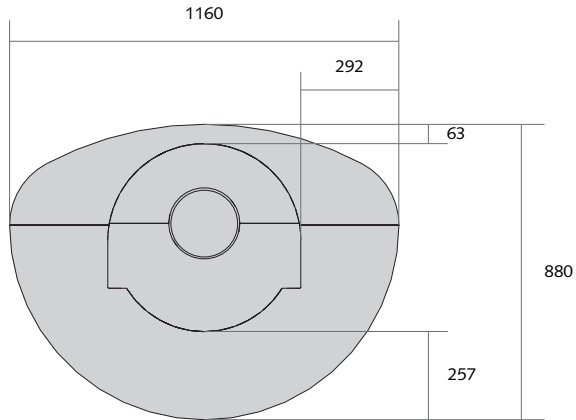
COMBUSTION & CONVECTION AIR



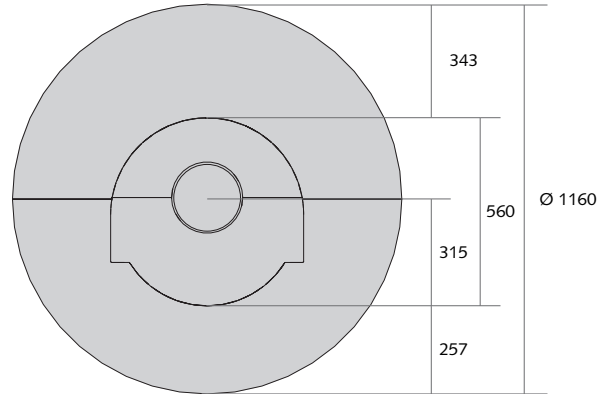
■ combustion zone
■ convection zone

- a. combustion chamber
- b. double wall
- c. room
- d. flue
- e. regulator lever
- f. deflectors
- g. base of the flames
- h. small holes between the bricks
- i. glass
- j. control valve

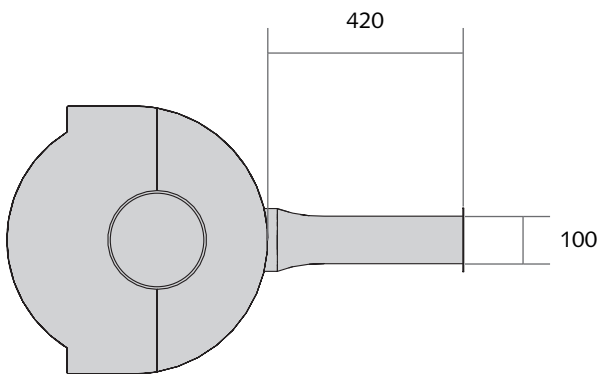
OVAL FLOOR FINISHING PLATE



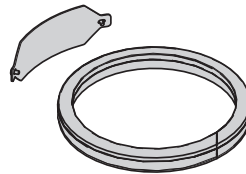
ROUND FLOOR FINISHING PLATE



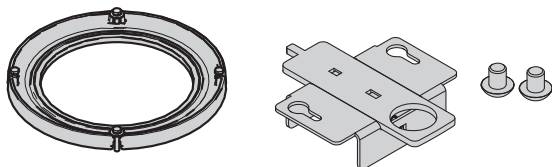
REAR OUTSIDE AIR INLET KIT



BACK OUTSIDE AIR INLET KIT



ROTARY KIT (COLLAR + LOCK)



BARBECUE

