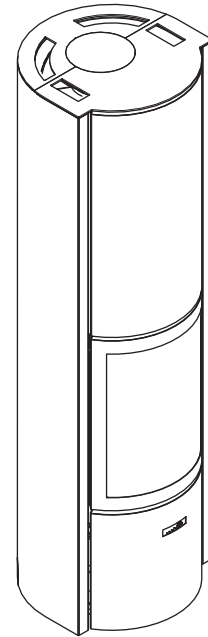


## s30-H | The stove

stuv

<b>3 doors</b>	glass door, closed-door, open fire
<b>control of the fire</b>	precision control of combustion air
<b>air-tightness</b>	control over the distribution of combustion air; sweeping of the glass, no consumption of room air; no CO in the living room
<b>excellent efficiency</b>	even at half-power
<b>low pollutant levels</b>	low emission of CO and fine particles even at half-power
<b>economical</b>	low wood consumption
<b>for traditional, energy-efficient and wood-framed homes</b>	✓
<b>180-mm smoke outlet</b>	at back or above
<b>accumulation of heat</b>	optional



## TECHNICAL SPECIFICATIONS

## GENERAL

TYPE OF SYSTEM	stove
MATERIALS	steel + cast iron
COLOUR	Stuv grey
LOADING	manual
FUEL	wood
POSITION OF LOGS	horizontal
LENGTH OF LOGS	33 cm

## WEIGHT / DIMENSIONS

WEIGHT WITHOUT MASS	220 kg
WEIGHT WITH MASS	366 kg
Ø OF SMOKE DUCT	180 mm
Ø HOT-AIR OUTLETS	-
Ø OUTSIDE AIR INLET	100 mm

## AIR

DIRECT OUTSIDE INLET	✓
CONTROL OF PRIMARY AIR	✓
CONTROL OF SECONDARY AIR	✓
POST-COMBUSTION	✓
AIR-TIGHTNESS	+++
OPERATION WITHOUT FAN	✓
OVERHEATING INDICATOR	X

## PERFORMANCE

ENERGY EFFICIENCY CLASS	A+
ENERGY PERFORMANCE INDEX	0,2
ENERGY EFFICIENCY INDEX	107
OUTPUT	9,5 kW
OUTPUT RANGE	4,6 - 13,5 kW
NOMINAL EFFICIENCY	80,8%
SEASONAL EFFICIENCY	70,8%
FINE PARTICLE EMISSIONS	22 mg/Nm <sup>3</sup>
CO EMISSIONS	0,04 % 421 mg/Nm <sup>3</sup>
NOX EMISSIONS	99 mg/Nm <sup>3</sup>
COV/COG EMISSIONS	17 mg/Nm <sup>3</sup>
RANGE OF WOOD CONSUMPTION	1,3 - 3,9 kg/h
NOMINAL DRAW	12 Pa
SMOKE MASS FLOW	9,2 g/s
AVERAGE TEMP. OF SMOKE	346°C
CONSUMPTION OF ROOM AIR FOR COMBUSTION	24 m <sup>3</sup> /h

## MINIMUM THICKNESS OF INSULATION BETWEEN STOVE AND COMBUSTIBLE MATERIALS

BACK FACE	10 cm
SIDE FACE	10 cm
TOP FACE	-
BOTTOM FACE	0 cm

## ACCESSORIES / EQUIPMENT

ACCUMULATION	○
CUPBOARD	X
BARBECUE	○
ASHTRAY	✓
CONVECTION	✓
FAÇADE	X
OPEN FIRE	✓
MOBILOBOX	○
GROUND PLATE	○
READY-TO-FIT	X
LOG RACK	○
ROTARY FUNCTION	✓
BASE	X
FAN	X
RETRACTABLE GLASS	X

## LEGEND

✓	STANDARD
X	UNAVAILABLE
○	OPTIONAL

Conforms with:



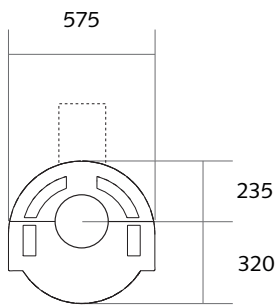
ECODESIGN 2022 / BE Phase 3 / DEFRA

# s30-H | The stove

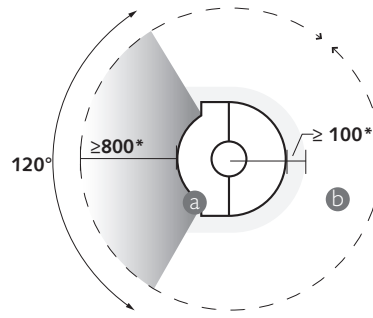


## DIMENSIONS OF THE STOVE

VIEW FROM ABOVE



SAFETY DISTANCES

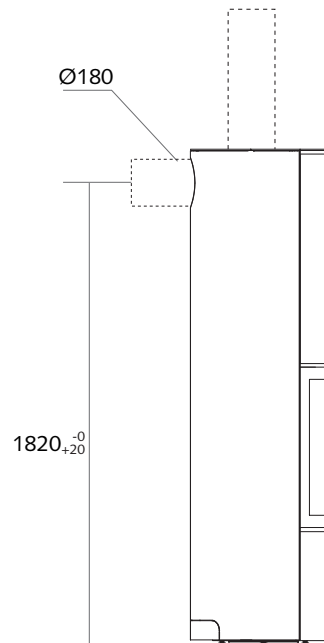


a: Heat radiated from the glass  
 b: Heat radiated from the walls  
 \*Safety distances from combustible materials.

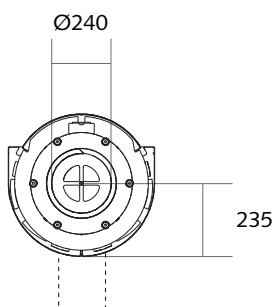
VIEW OF FRONT



VIEW OF PROFILE



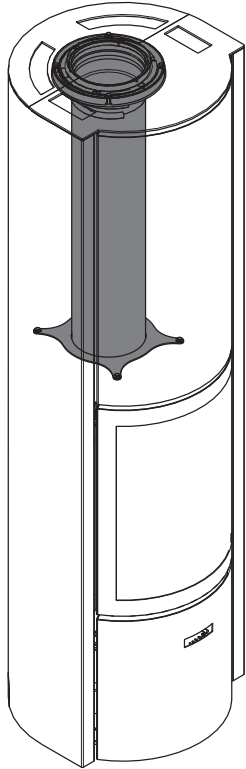
VIEW FROM BEHIND



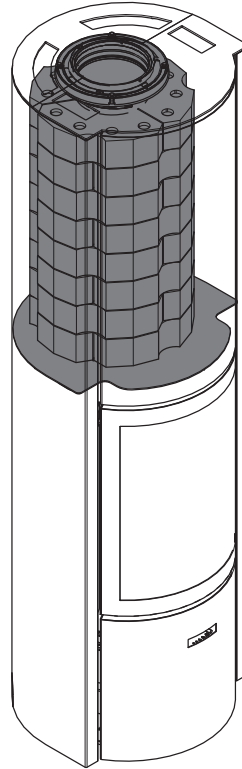
# s30-H | 4 configurations



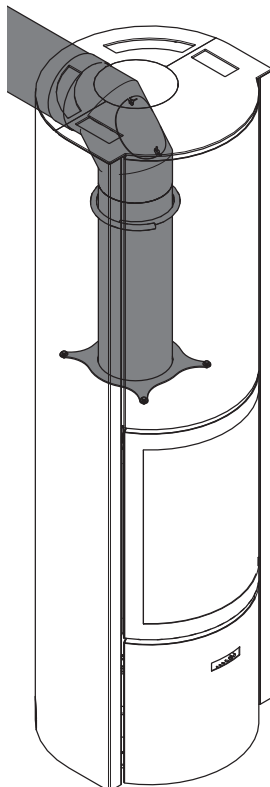
WITH OUTLET ABOVE WITHOUT ACCUMULATION KIT



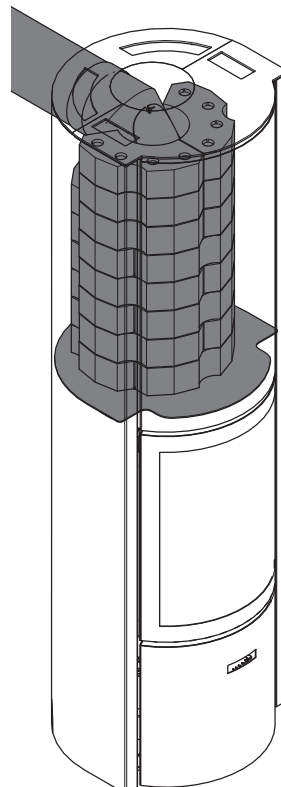
WITH OUTLET ABOVE AND ACCUMULATION KIT



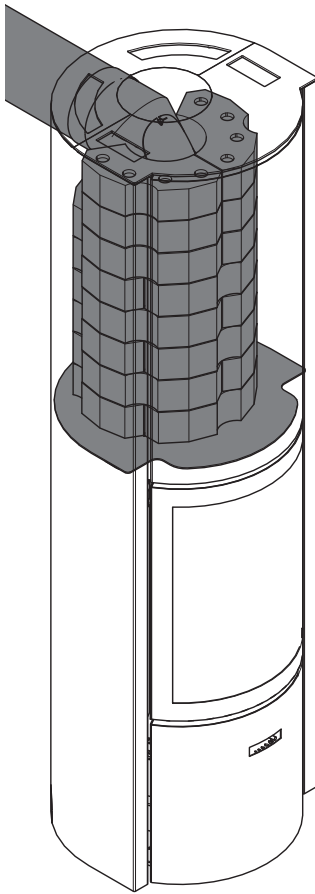
WITH BACK OUTLET WITHOUT ACCUMULATION KIT



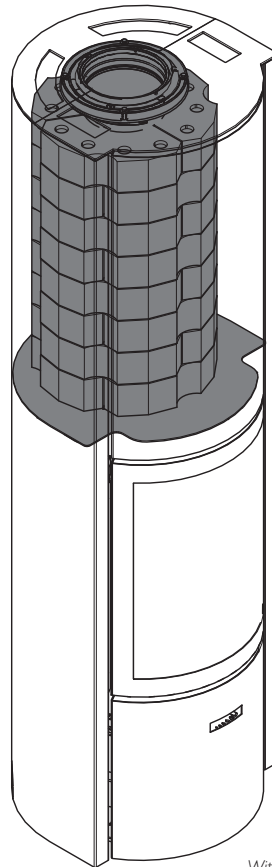
WITH BACK OUTLET AND ACCUMULATION KIT



# s30-H + accumulation option



With rear outlet

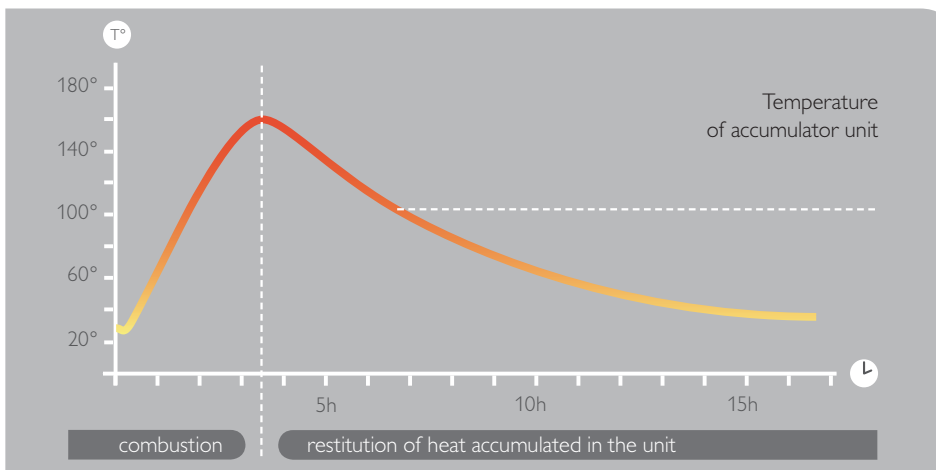


With upper outlet

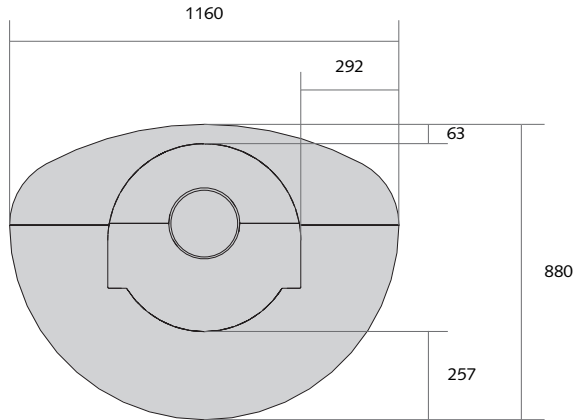
Heat is radiated for up to 10 hours after the fire has died out

Weight of accumulator unit:  
151 kg

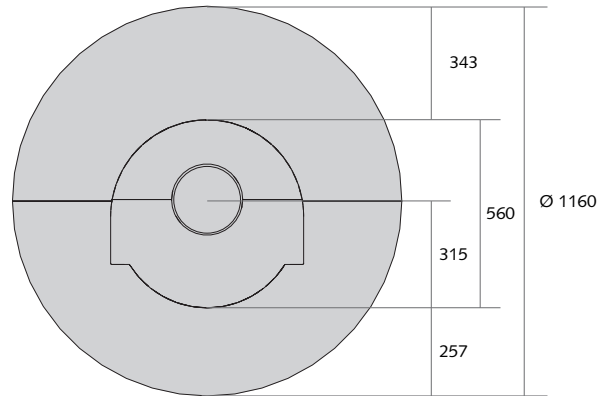
## TEMPERATURE CURVE GRAPHIC



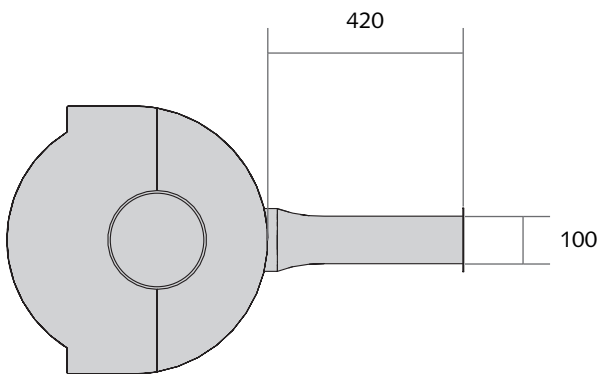
## OVAL FLOOR FINISHING PLATE



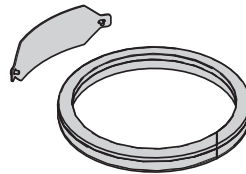
## ROUND FLOOR FINISHING PLATE



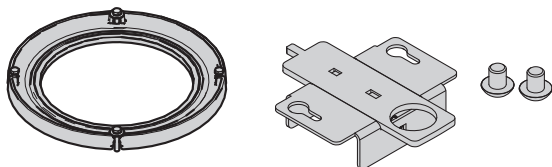
## REAR OUTSIDE AIR INLET KIT



## BACK OUTSIDE AIR INLET KIT



## ROTARY KIT (COLLAR + LOCK)



## BARBECUE

