

6-H 5650 | The stove

stuv

enjoyment of the fire

expanded view on the fire

precise control of the combustion

natural convection

aesthetics

continuous curve

formal simplicity

suitable for all types of interiors

economical

low wood consumption

high efficiency

peu pollutant

low emission of fine particles

smoke outlet

rear or vertical

external air inlet

from below or from behind



TECHNICAL OVERVIEW

GENERAL

TYPE OF STOVE	stove
MATERIALS	steel + cast iron
COLOUR	Stuv Black
LOADING	manual
FUEL	wood
LOG POSITION	horizontal
LOG LENGTH	33 cm

WEIGHT / SIZE

WEIGHT	80 kg
Ø OF SMOKE FLUE	130 mm
Ø OF OUTSIDE AIR INLET	80 mm

AIR

DIRECT EXTERNAL INLET	○*
PRIMARY AIR CONTROL	✓
SECONDARY AIR CONTROL	✓
POST-COMBUSTION	✓
AIR-TIGHTNESS	++++
OVERHEATING INDICATOR	✓

* Below or rear intake

PERFORMANCE

NOMINAL OUTPUT	5,9 kW
OUTPUT RANGE	4-9 kW
EFFICIENCY	79 %
CO EMISSIONS	0,07 %
FINE PARTICLE EMISSIONS	24 mg/Nm ³
WOOD CONSUMPTION RANGE	1,1-2,5 kg
MINIMUM DRAW	12 Pa
SMOKE MASS FLOW	5,6 g/s
AVERAGE TEMP. OF SMOKE	338 °C
CONSUMPTION OF ROOM AIR FOR COMBUSTION	15 m ³ /h
ENERGY EFFICIENCY INDEX (EEI)	106
ENERGY EFFICIENCY CLASS	A

MINIMUM SAFETY DISTANCE FOR COMBUSTIBLE MATERIALS

BACK FACE	7,5 cm
SIDE FACE	15 cm
TOP FACE	0 cm
BOTTOM FACE	-

ACCESSORIES / EQUIPMENT

FLOOR PLATE	○
-------------	---

LEGEND

✓	STANDARD
X	UNAVAILABLE
○	OPTIONAL

Conforms with:



ECODESIGN 2022 / BE Phase 3 / DEFRA

6-H 6655 | The stove

stuv

enjoyment of the fire

expanded view on the fire
 precise control of the combustion
 natural convection

aesthetics

continuous curve
 formal simplicity
 suitable for all types of interiors

economical

low wood consumption
 high efficiency

peu pollutant

low emission of fine particles

smoke outlet

rear or vertical

external air inlet

from below or from behind



TECHNICAL OVERVIEW

GENERAL

TYPE OF STOVE	stove
MATERIALS	steel + cast iron
COLOUR	Stuv Black
LOADING	manual
FUEL	wood
LOG POSITION	horizontal
LOG LENGTH	40 cm

WEIGHT / SIZE

WEIGHT	95 kg
Ø OF SMOKE FLUE	150 mm
Ø OF OUTSIDE AIR INLET	80 mm

AIR

DIRECT EXTERNAL INLET	○*
PRIMARY AIR CONTROL	✓
SECONDARY AIR CONTROL	✓
POST-COMBUSTION	✓
AIR-TIGHTNESS	++++
OVERHEATING INDICATOR	✓

* Below or rear intake

PERFORMANCE

NOMINAL OUTPUT	7,2 kW
OUTPUT RANGE	4,5 - 10,7 kW
EFFICIENCY	79 %
CO EMISSIONS	0,07 %
FINE PARTICLE EMISSIONS	24 mg/Nm ³
WOOD CONSUMPTION RANGE	1,3 - 3,1 kg
MINIMUM DRAW	12 Pa
SMOKE MASS FLOW	7 g/s
AVERAGE TEMP. OF SMOKE	
CONSUMPTION OF ROOM AIR FOR COMBUSTION	15 m ³ /h
ENERGY EFFICIENCY INDEX (EEI)	105
ENERGY EFFICIENCY CLASS	A

MINIMUM SAFETY DISTANCE FOR COMBUSTIBLE MATERIALS

BACK FACE	7,5 cm
SIDE FACE	15 cm
TOP FACE	0 cm
BOTTOM FACE	-

ACCESSORIES / EQUIPMENT

FLOOR PLATE	○
-------------	---

LEGEND

✓	STANDARD
X	UNAVAILABLE
○	OPTIONAL

Conforms with:



ECODESIGN 2022 / BE Phase 3 / DEFRA

6-H 7660 | The stove

stuv

enjoyment of the fire

expanded view on the fire
 precise control of the combustion
 natural convection

aesthetics

continuous curve
 formal simplicity
 suitable for all types of interiors

economical

low wood consumption
 high efficiency

peu pollutant

low emission of fine particles

smoke outlet

rear or vertical

external air inlet

from below or from behind



TECHNICAL OVERVIEW

GENERAL

TYPE OF STOVE	stove
MATERIALS	steel + cast iron
COLOUR	Stuv Black
LOADING	manual
FUEL	wood
LOG POSITION	horizontal
LOG LENGTH	50 cm

WEIGHT / SIZE

WEIGHT	105 kg
Ø OF SMOKE FLUE	150 mm
Ø OF OUTSIDE AIR INLET	80 mm

AIR

DIRECT EXTERNAL INLET	○*
PRIMARY AIR CONTROL	✓
SECONDARY AIR CONTROL	✓
POST-COMBUSTION	✓
AIR-TIGHTNESS	++++
OVERHEATING INDICATOR	✓

* Below or rear intake

PERFORMANCE

NOMINAL OUTPUT	8,4 kW
OUTPUT RANGE	5 - 13 kW
EFFICIENCY	79 %
CO EMISSIONS	0,06 %
FINE PARTICLE EMISSIONS	21 mg/Nm ³
WOOD CONSUMPTION RANGE	1,4 - 2,9 kg
MINIMUM DRAW	12 Pa
SMOKE MASS FLOW	8,4 g/s
AVERAGE TEMP. OF SMOKE	284 °C
CONSUMPTION OF ROOM AIR FOR COMBUSTION	20 m ³ /h
ENERGY EFFICIENCY INDEX (EEI)	105
ENERGY EFFICIENCY CLASS	A

MINIMUM SAFETY DISTANCE FOR COMBUSTIBLE MATERIALS

BACK FACE	7,5 cm
SIDE FACE	15 cm
TOP FACE	0 cm
BOTTOM FACE	-

ACCESSORIES / EQUIPMENT

FLOOR PLATE	○
-------------	---

LEGEND

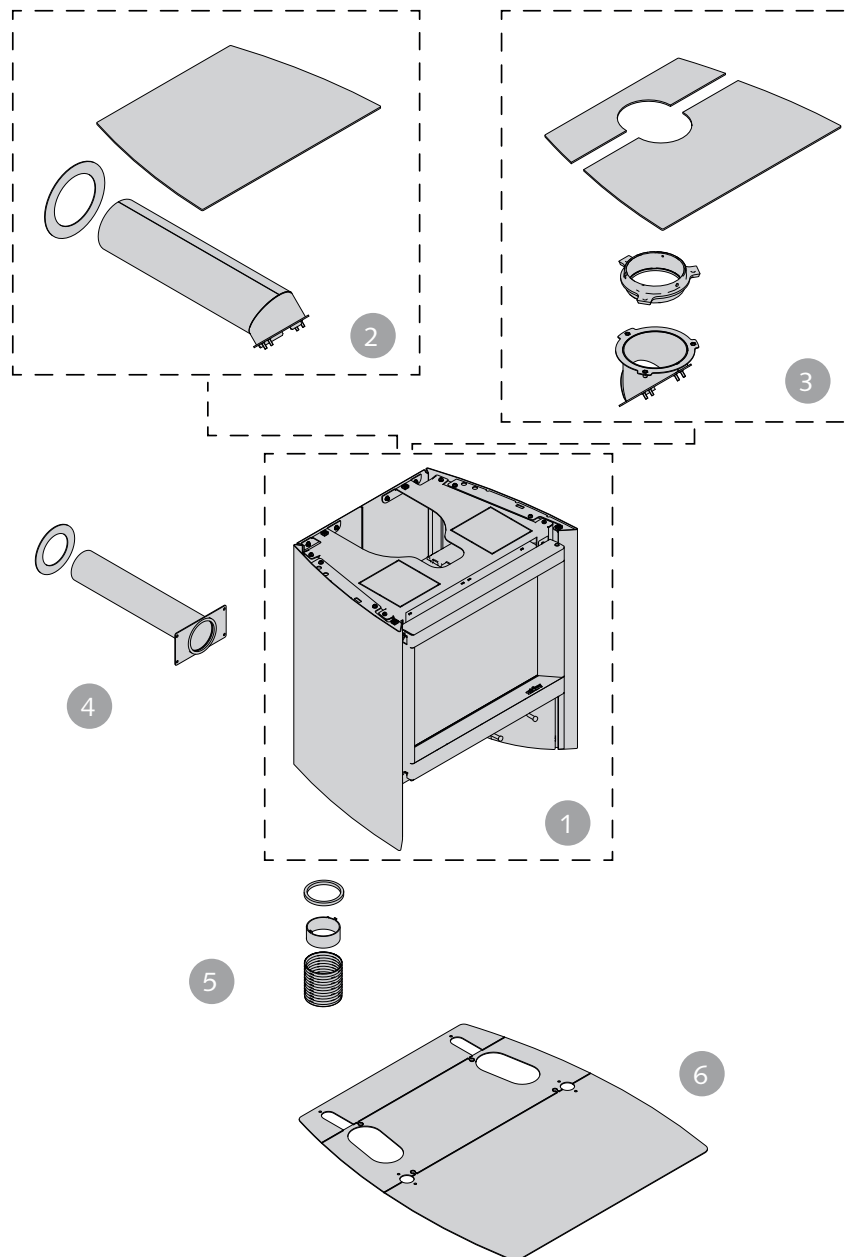
✓	STANDARD
X	UNAVAILABLE
○	OPTIONAL

Conforms with:



ECODESIGN 2022 / BE Phase 3 / DEFRA

OVERVIEW



THE DEVICE

1. Stove

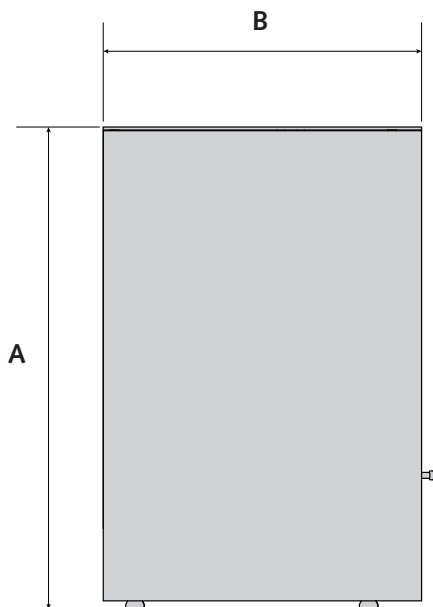
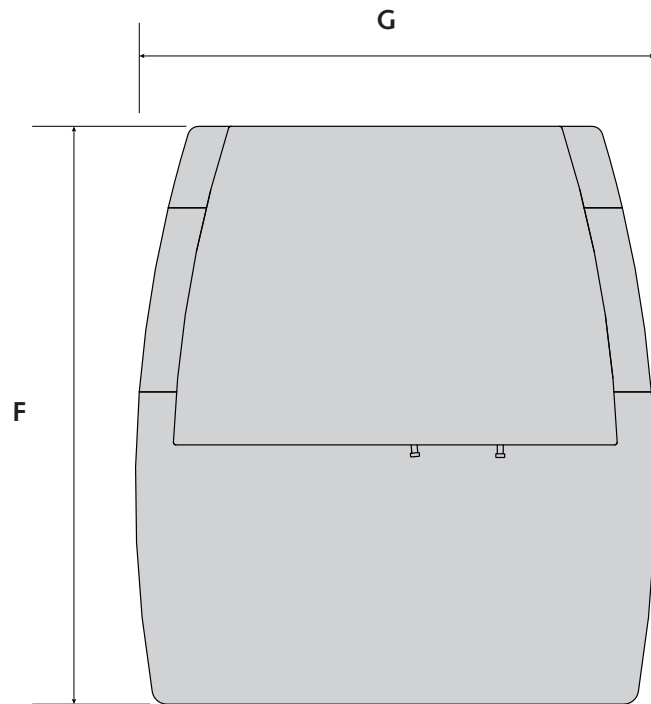
DUCT CONNECTION
OF SMOKE EVACUATION

2. Smoke outlet to the rear and matching finishing shelf
3. Smoke outlet upwards and matching finishing tablet

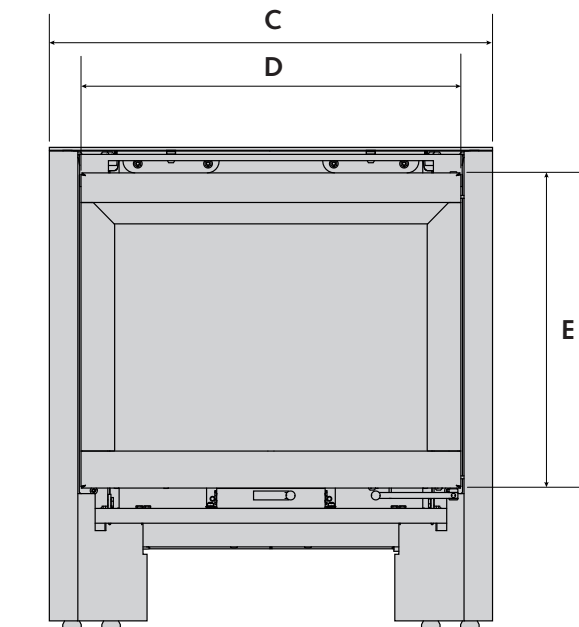
OPTIONS

4. Outside air connection kit from the rear Ø80mm
5. Outside air connection kit from below Ø80mm
6. Floor plate

DIMENSIONS OF THE DEVICE AND FLOOR PLATE (OPTIONAL)



Left view



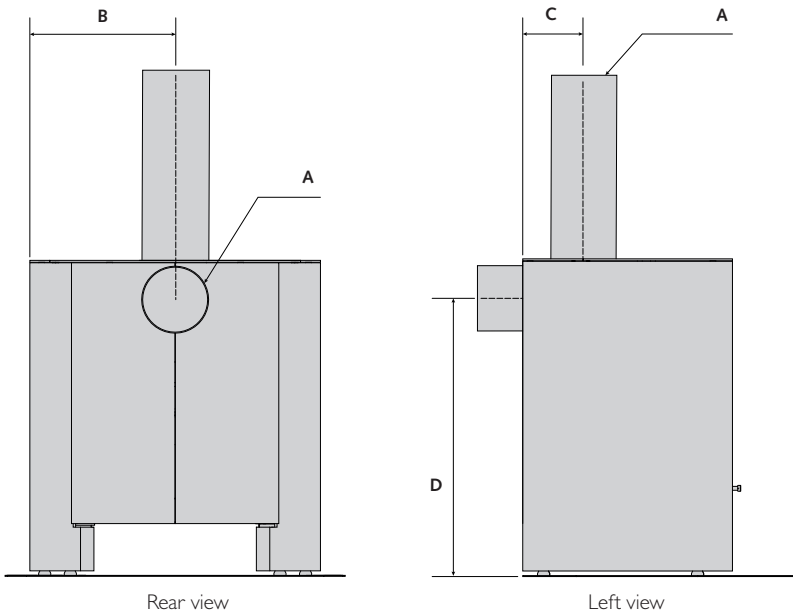
Front view

DIMENSIONS (MM)	A	B	C	D	E	F	G
Stûv 6-H 5650	650	430	600	513	426	780	700
Stûv 6-H 6655	725	430	700	613	476	780	800
Stûv 6-H 7660	800	430	800	713	526	780	900

Stûv 6-H | The stove



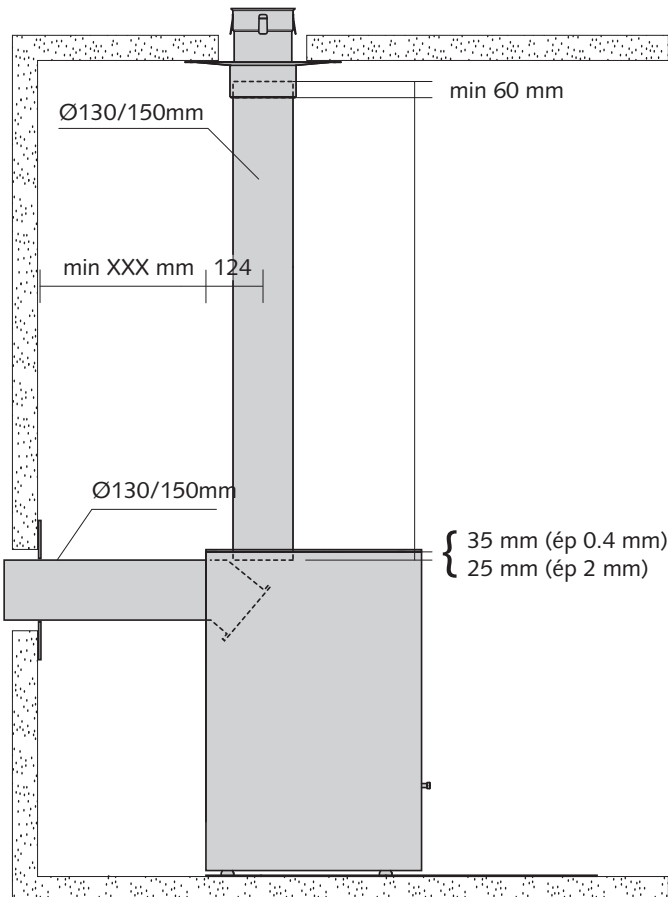
DIMENSIONS AND POSITIONS OF THE SMOKE OUTLETS

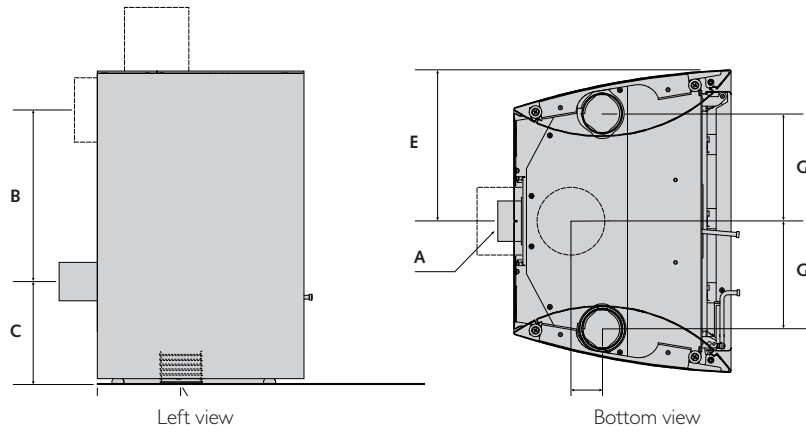


DIMENSIONS (MM)	A	B
Stûv 6-H 5650	Ø 130	300
Stûv 6-H 6655	Ø 150	350
Stûv 6-H 7660	Ø 150	400

DIMENSIONS (MM)	C	D
Stûv 6-H 5650	124	562*
Stûv 6-H 6655	124	637*
Stûv 6-H 7660	124	712*

* -0 / +10 mm



DIMENSIONS AND POSITIONS OF THE COMBUSTION AIR INLETS


DIMENSIONS (MM)	A	B	C	D	E	F	G
Stûv 6-H 5650	Ø 80	357	212*	175	300	50	213
Stûv 6-H 6655	Ø 80	400	237*	175	350	50	263
Stûv 6-H 7660	Ø 80	450	262*	175	400	50	313

* -0 / +10 mm