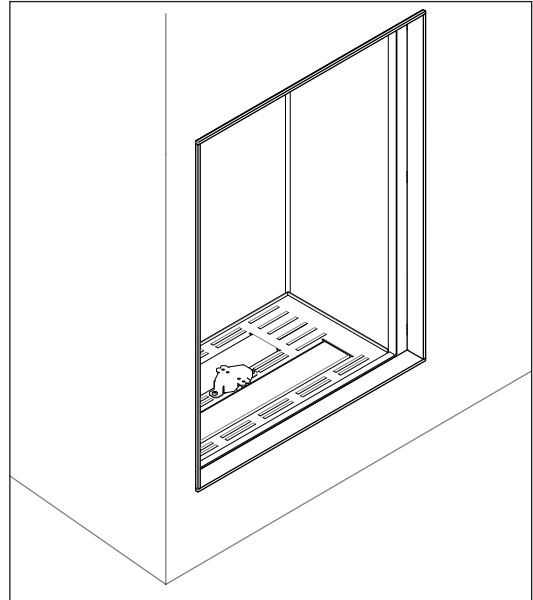


Stûv B-60.2 | The stove

stûv

Enjoyment of the fire	Double burner Wood burner
Aesthetics and easy integration	Choice of interiors (ceramic logs, glass back or cast iron back) A range of steel finishes, Frame PietBoon
Ease of use	Option to set the height of the flame Standard remote control Optional mobile app
Energy saving	Eco wave programme that cycles gas supply levels



TECHNICAL OVERVIEW

GENERAL	
TYPE OF STOVE	C11 / C31
MATERIALS	steel
COLOUR	anthracite
FUEL	Natural gas / Propane
WEIGHT / SIZE	
WEIGHT	125 kg
Ø OF SMOKE FLUE OUTLET	100-150 mm

ACCESSORIES / EQUIPMENT	
REMOTE CONTROL	✓
HANDSET WIFI	○
WOOD LOG BURNER	✓
CONVECTION CASING	○
BACK PANEL	
· BLACK STEEL	✓
· BLACK GLASS	○
· PIET BOON IRON STRIPS	○
DECORATIVE OPTIONS	
· SET OF LOGS	✓
· ANTHRACITE STONES	○
· WHITE STONES	○
ANTI-REFLECTIVE GLASS	○
AC 220V ADAPTOR	✓

Conforms to the standard
EN 613:2000

kiwa
Partner for progress

LEGEND

- ✓ YES
- OPTION

Stûv B-60.2 | Technical specifications

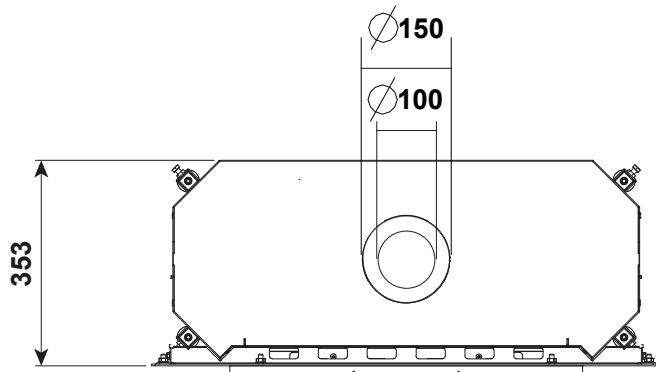
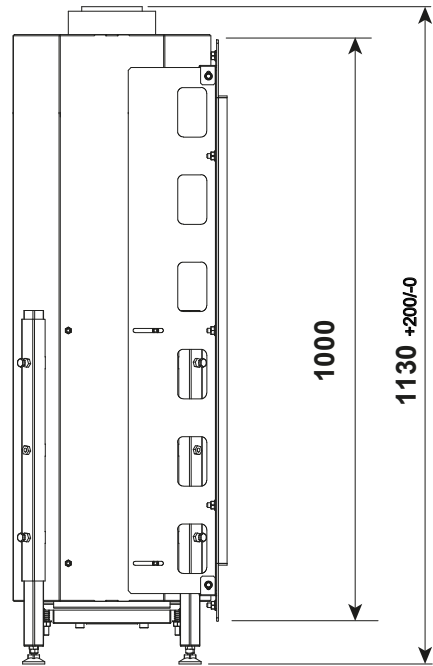
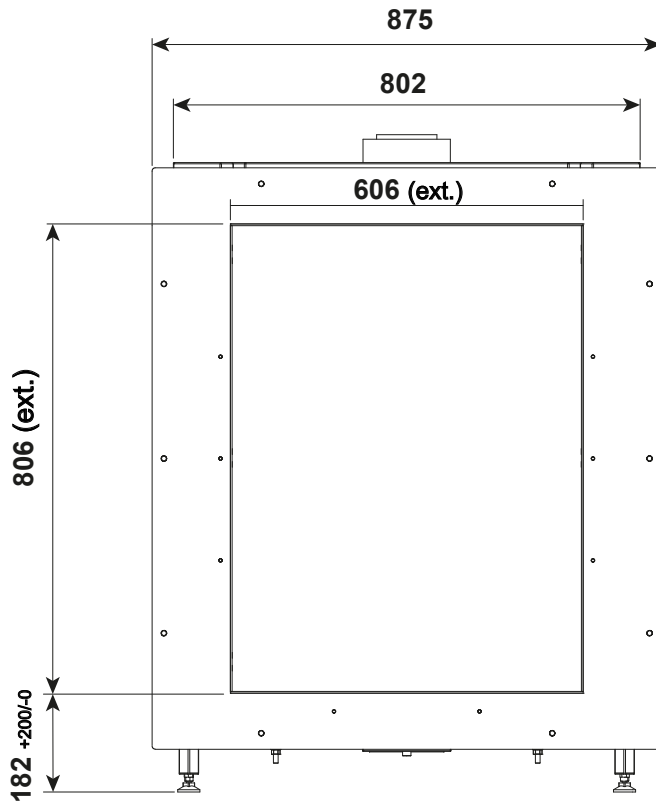


TYPE C11 / C31

GAS TYPE	G20		G20 / G25		G25.3		G31		G31		G31	
		I2H, I2E, I2E+	I2ELL	I2EK	I2EK	I3P (30)	I3P (37)	I3P (50)				
SUPPLY PRESSURE	mbar	20	20	25	30	37	50					
NOMINAL HEAT INPUT GROSS (HS)	kW	8,2	6,7	8	8,2	8,2	8,2					
OUTPUT	kW	6,5	5,3	6,3	6,9	6,9	6,9					
CONSUMPTION	m ³ /h	79	0,75	0,82	/	/	/					
CONSUMPTION	Kg/h	/	/	/	0,56	56	0,56					
BURNER PRESSURE (HOT)	mbar	13,4	13,4	/	26,8	26,8	26,8					
INJECTOR MARKING		0.9 (FB)	0.9 (FB)	0.9 (FB)	0.65 (FB)	0.65 (FB)	0.65 (FB)					
		1.2 (BB)	1.2 (BB)	1.2 (BB)	0.75 (BB)	0.75 (BB)	0.75 (BB)					
		1.3 (RB)	1.3 (RB)	1.3 (RB)	0.8 (RB)	0.8 (RB)	0.8 (RB)					
PILOT		SIT 0.977.096 NR36	SIT 0.977.096 NR36	SIT 0.977.096 NR36	SIT 0.977.096 NR36	SIT 0.977.096 NR36	SIT 0.977.096 NR36					
EFFICIENCY CLASS*		1	1	1	1	1	1					
Nox CLASS		4	4	4	4	4	4					
ENERGY EFFICIENCY INDEX (EEI)		79	79	79	82	82	82					
ENERGY EFFICIENCY CLASS		C	C	C	B	B	B					

* Class 1: efficiency over 82%. Class 2: efficiency between 65% and 82%.

Stûv B-60.2 | Dimensions



Stûv B-60.2 | Frame



Frame Piet Boon for Stûv B-60.2

